

OMNIDIRECTIONAL INKJET PRINTER BY



*Compact, economical and versatile systems,
the TZ and PR inkjet printers are able to print in any direction to meet your
every coding and marking needs !*



■ THE MOST FLEXIBLE SYSTEM

SIDE, TOP, DOWN or WITH AN ANGLE ... You mention it !

The TZ and PR printers are the most flexible and versatile systems on the market, being able to MARK IN ANY DIRECTION.

They are also available for both POROUS and NON-POROUS surfaces, to answer to every possible coding and marking need.

EASY TO USE AND TO SERVICE ■

Not only the printers from this range are easy to use thanks to the INTUITIVE CODEX INTERFACE, but they are also EASY TO SERVICE.

Thanks to their simple yet reliable design, problems are easily solved. Moreover, the 54 and 72mm PR systems have been especially developed to help technicians on their job: VALVE CLOSING THE HYDRAULIC SYSTEM, REMOVABLE COVER ...



TZ·PR SERIES

	TZ18	TZ34	PR54	PR72-35PL	PR72-80PL
PRINTING SPECIFICATIONS					
Print Band	18mm	34mm	54mm	72mm	
Resolution	90-360 Dpi (Vertical) - Depending on print density and speed				
Maximum print Speed (1)	42m/min	42m/min	50m/min	60m/min	38m/min
Drop size	80pL	80pL	60pL	35pL	80pL
Printing Frequency	4,8 kHz	4,8 KHz	6 KHz	7,1 KHz	4,3 KHz
Distance of lower point from base	14mm	14mm	22mm	34mm	34 mm
Print distance	For optimum quality, up to 0,7 cm from substrate				
Print Head orientation	Omnidirectional printing (side, top, down, with an angle, etc)				
Substrates	Porous (oil-based inks) - Non-porous (solvent-based inks)				
MESSAGE SPECIFICATIONS					
Fonts	True Type - Open Type				
Effects	Size, Orientation, Mirror, Negative Image				
Characters size	From 0,7 to 18 mm	From 0,7 to 34 mm	From 0,7 to 54 mm	From 0,7 to 72 mm	
Variable data	In real time date (hours, minutes, seconds, month and year - formats can be customised) / Pre or post date / Data coming from external communication devices / Batch and serial numbers, shifts, counters, etc.				
Barcodes	ITF type, ITF14, UPC-A, EAN8, EAN13, EAN128, Code128, Code39, DM GS1, RSS-14, Codabar, RSS-EX, Datamatrix, QR Codes				
Graphic formats supported	All				
MACHINE SPECIFICATIONS					
Weight (2)	4,6 Kgs	4,7 Kgs	5,5 Kgs	5,6 Kgs	5,6Kgs
Housing	Stainless Steel Enclosure				
Operating environment	From 5 to 45°C - Humidity from 0 to 90% (non condensing)				
Ink system	250 or 600mL ink bottles - Easy clean and secured ink replacement with no production stop				
Characteristics	prime button and ink low built-in				
	Small head for easy integration		Small head for easy integration	Removable cover for easy service access	
Options	Supplied with umbilical cable (1m long /1,5m as an option) and mounting accessories				
Maintenance	Low level of maintenance - service by local teams (authorized distributors)				

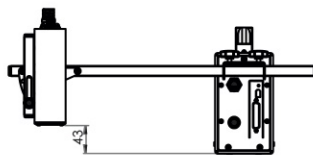
(1) Maximum print speed for a resolution of 180 Dpi

(2) See dimensions of the machines below

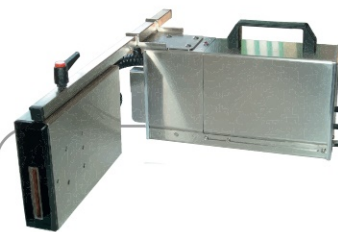
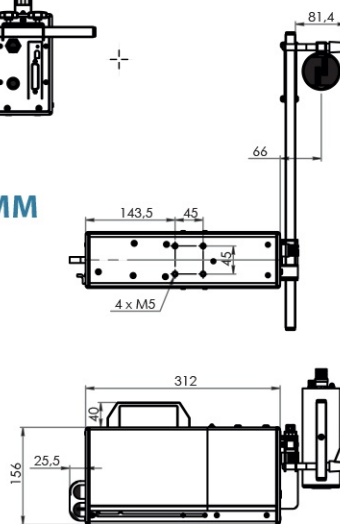
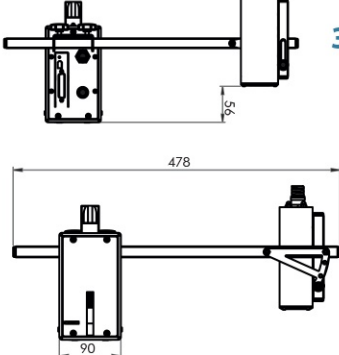
DIMENSIONS

TZ18 & 34 MM

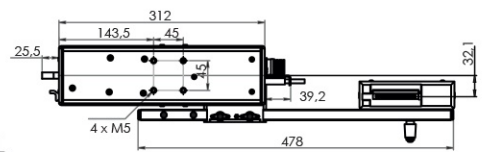
18 MM



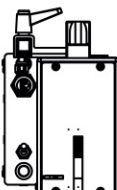
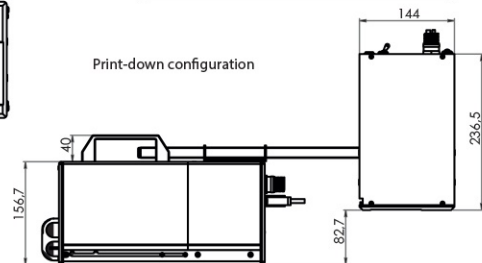
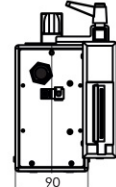
34 MM



PR 54 & 72 MM



Print-down configuration



54 MM

72 MM

